

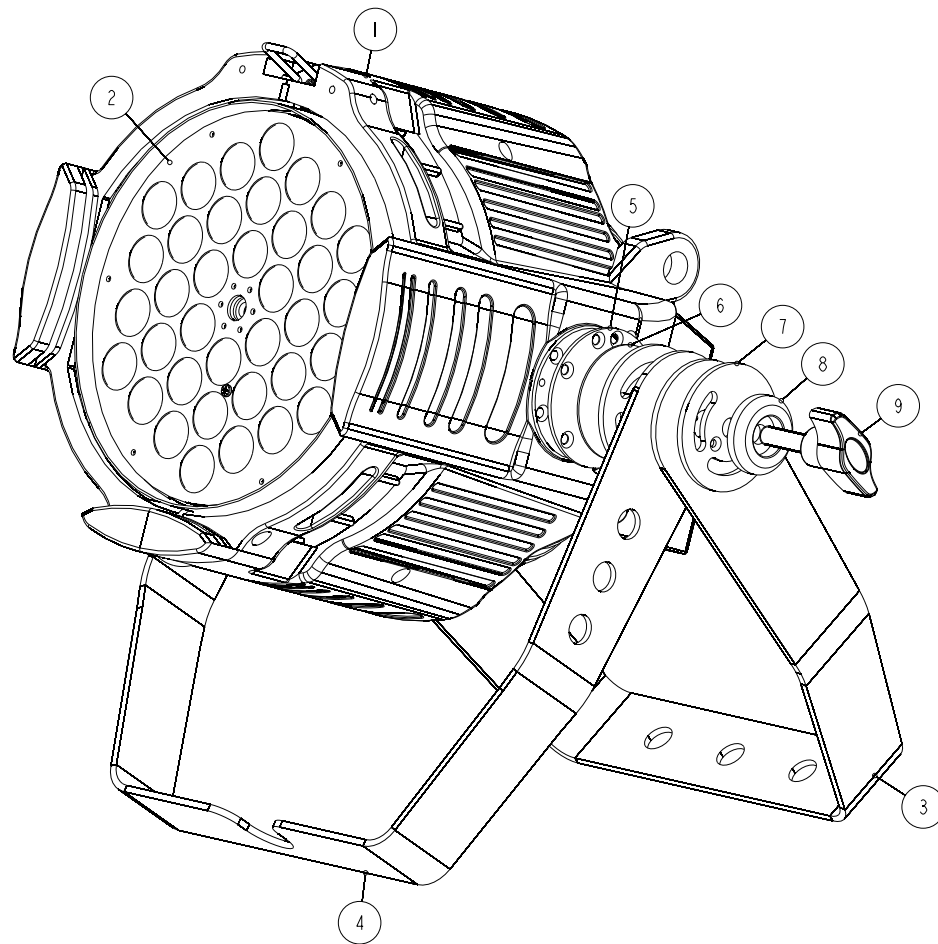
# Service manual

## DLED PAR ZOOM

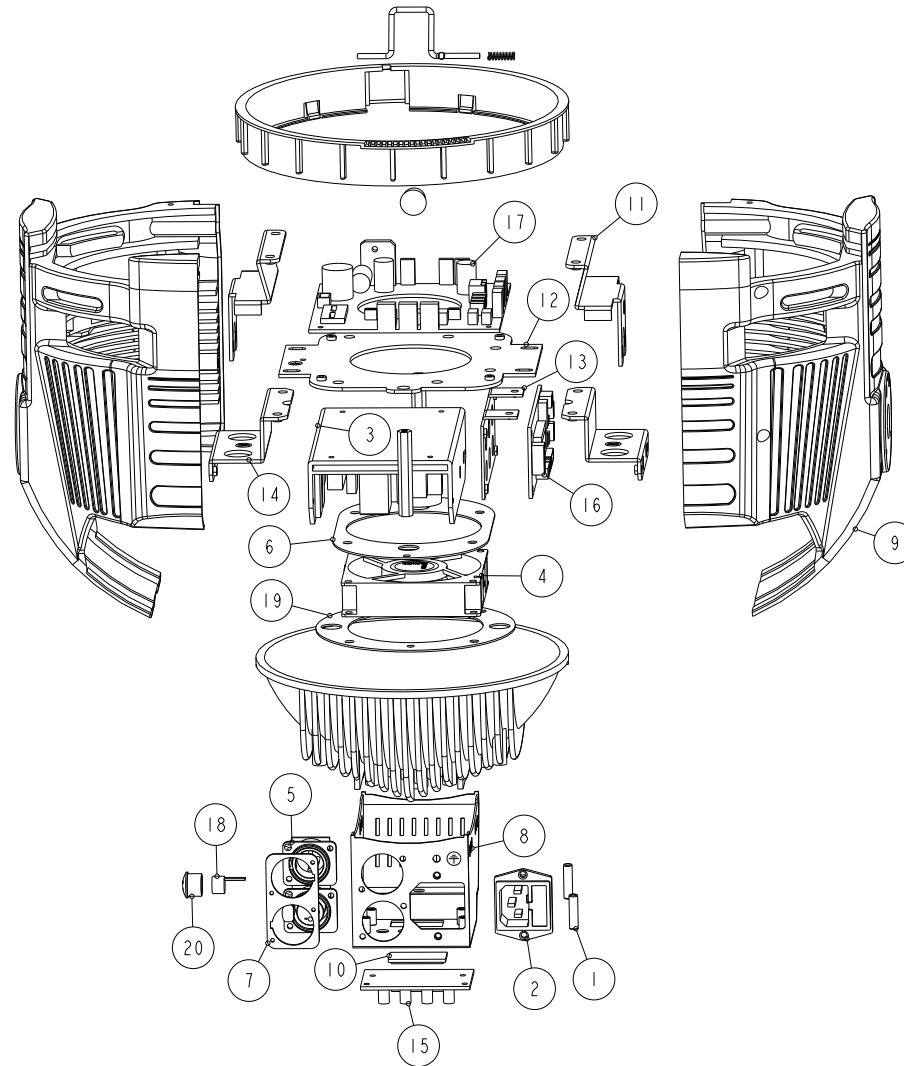
- ✘ **Exploded Diagrams**
- ✘ **Circuit Diagrams**
- ✘ **Wiring Diagrams**
- ✘ **Parts List**



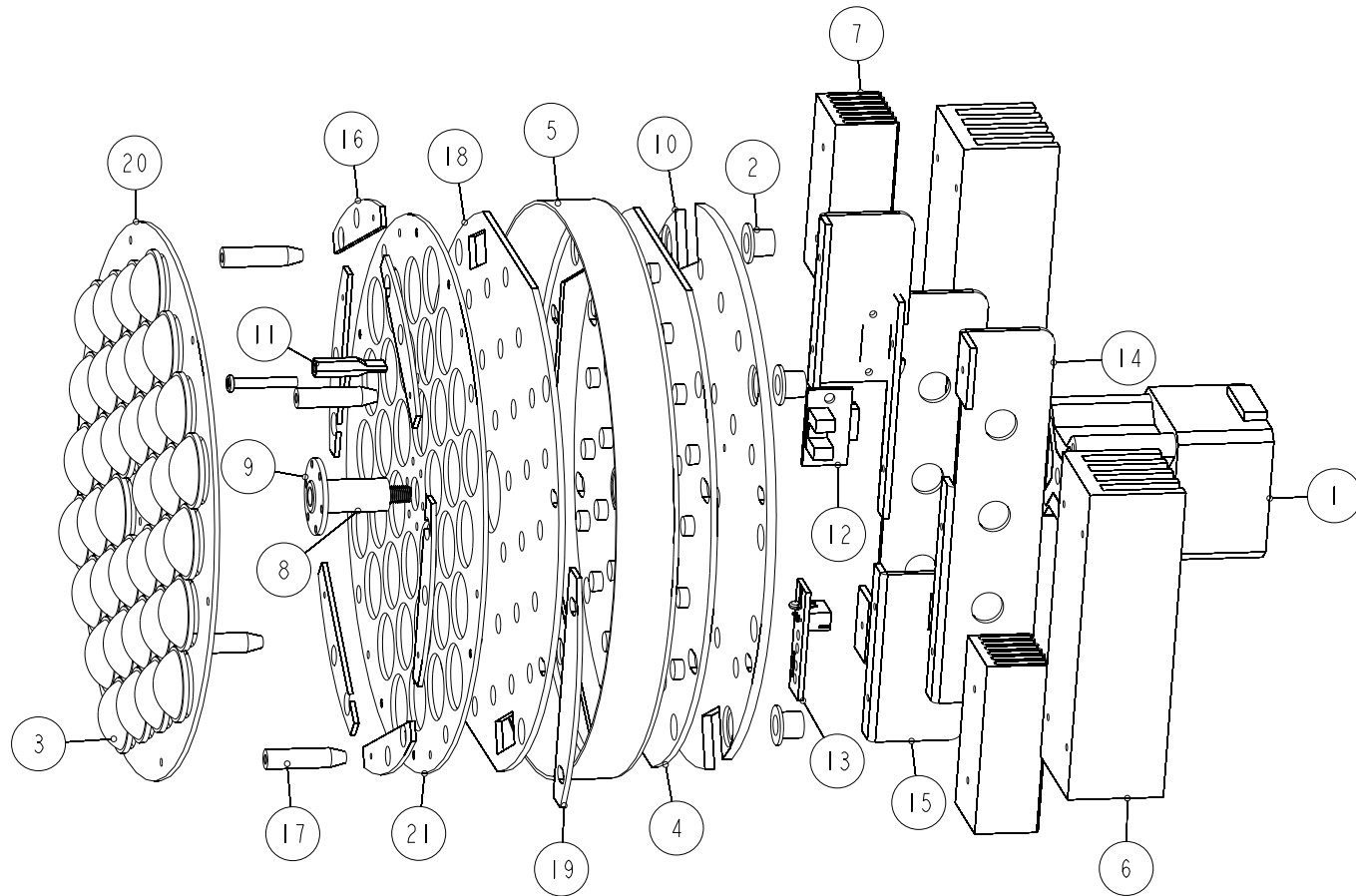
<b>PRODUCT</b>		<b>DLED PAR ZOOM</b>		
<b>PIC. NO.</b>		<b>Front Page</b>	Series NO.	1201801-1201900
EDIT		FILE NO.	HY-EXP-714A	
CHECK		ORDER NO.	SO20090681	
APPROVE		VERSION	NR	SOFTWARE VER. V1.0



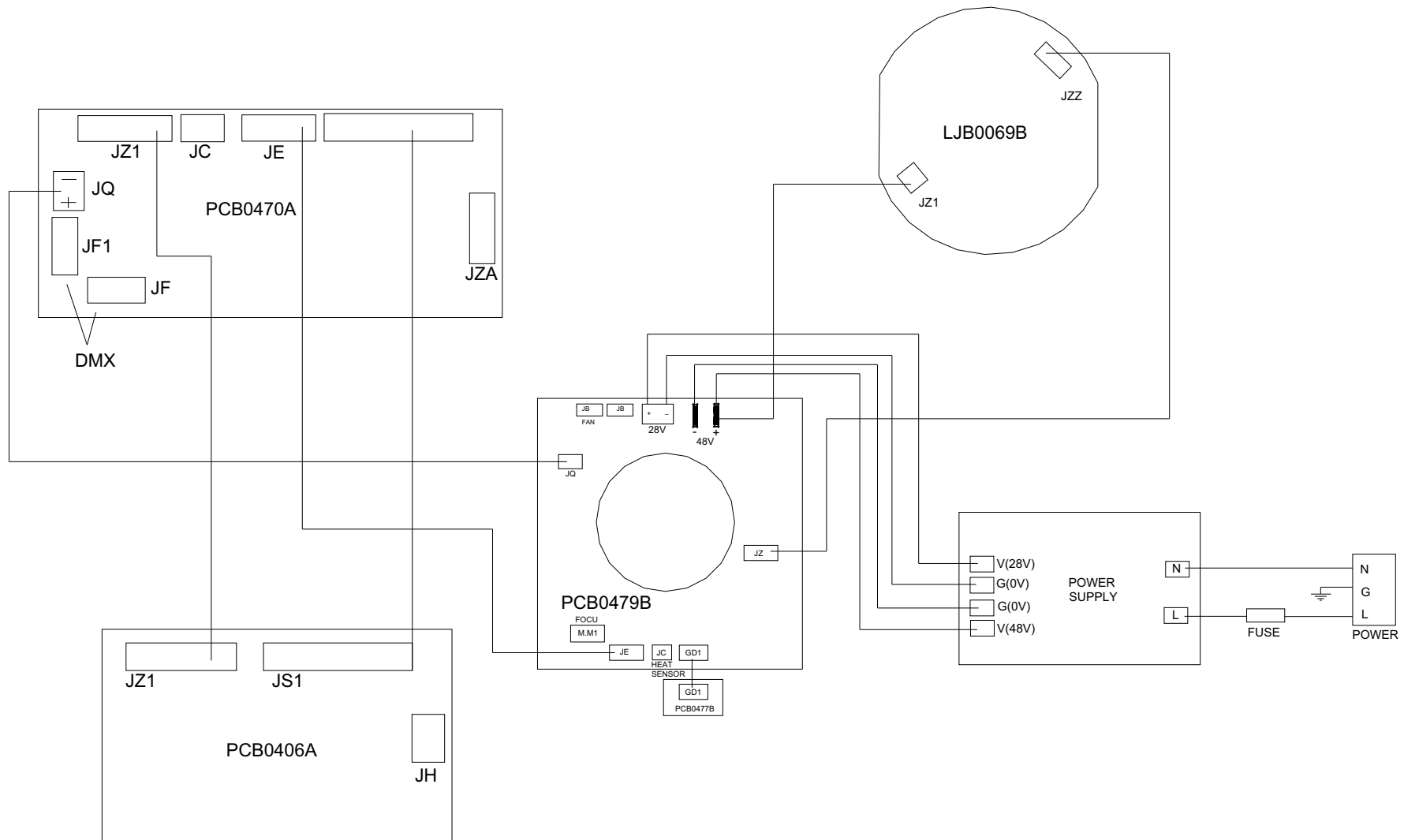
PRODUCT		<b>DLED PAR ZOOM</b>			
PIC. NO.		<b>10-0119-00-00-00</b>			
EDIT		FILE NO.	HY-EXP-714A	PAGE NO.	1/8
CHECK		VERSION	NR	DATE	2010.03.08
APPROVE		ECN NO.		DATE	



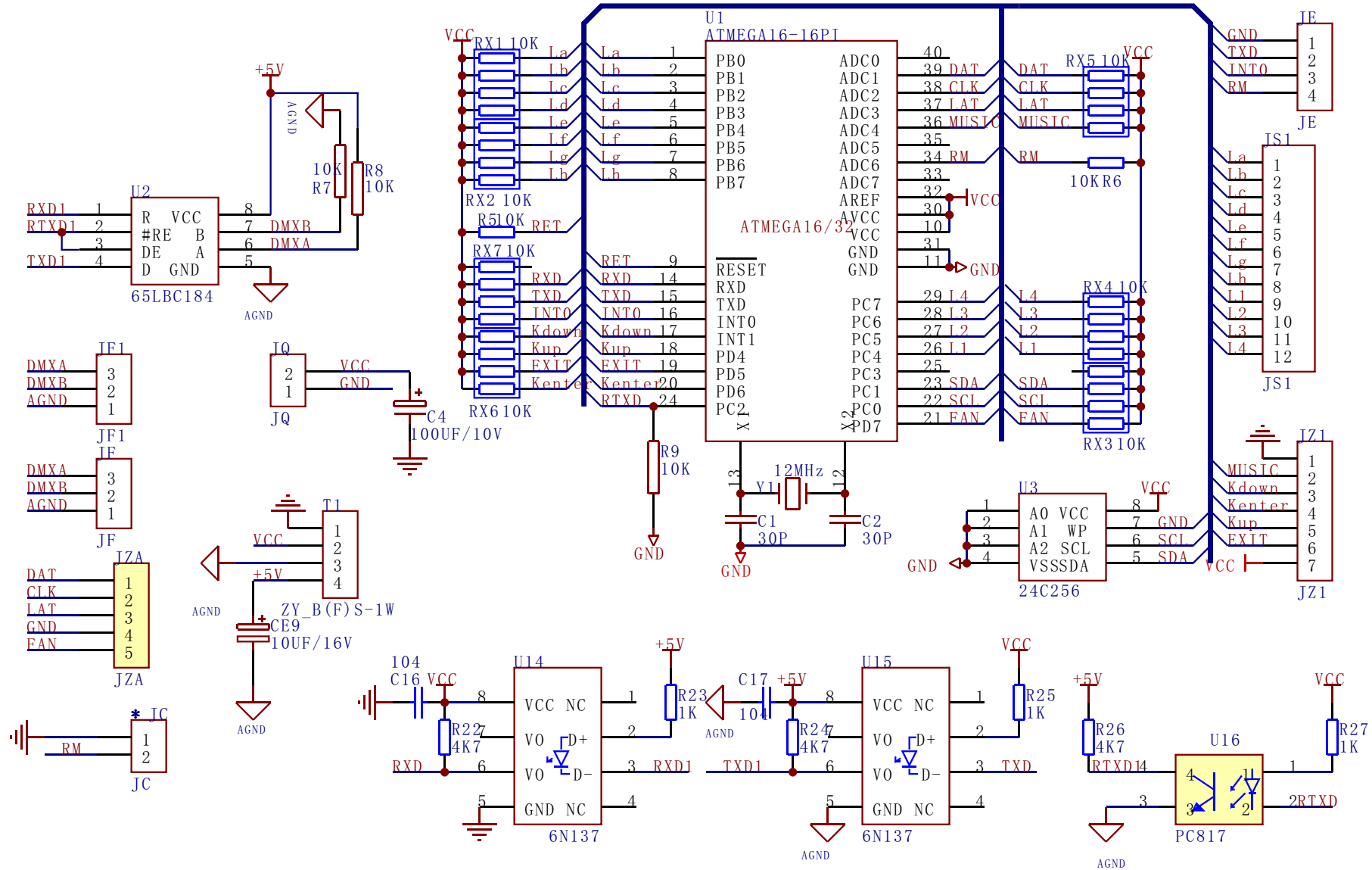
PRODUCT		<b>DLED PAR ZOOM</b>			
PIC. NO.		<b>10-0119-01-00-00</b>			
EDIT		FILE NO.	HY-EXP-714A	PAGE NO.	2/8
CHECK		VERSION	NR	DATE	2010.03.08
APPROVE		ECN NO.		DATE	



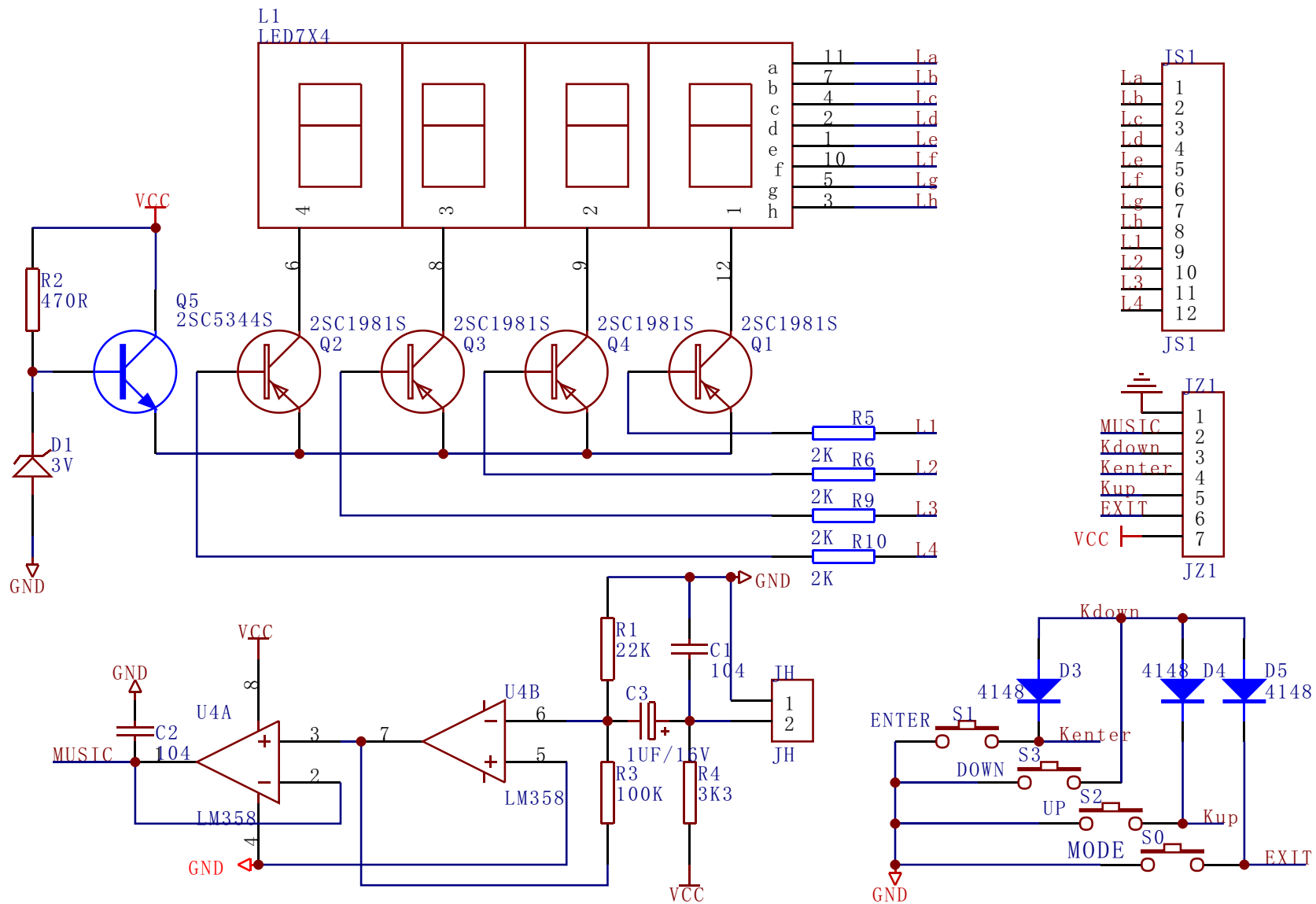
PRODUCT		<b>DLED PAR ZOOM</b>			
PIC. NO.		<b>10-0119-02-00-00</b>			
EDIT		FILE NO.	HY-EXP-714A	PAGE NO.	3/8
CHECK		VERSION	NR	DATE	2010.03.08
APPROVE		ECN NO.		DATE	



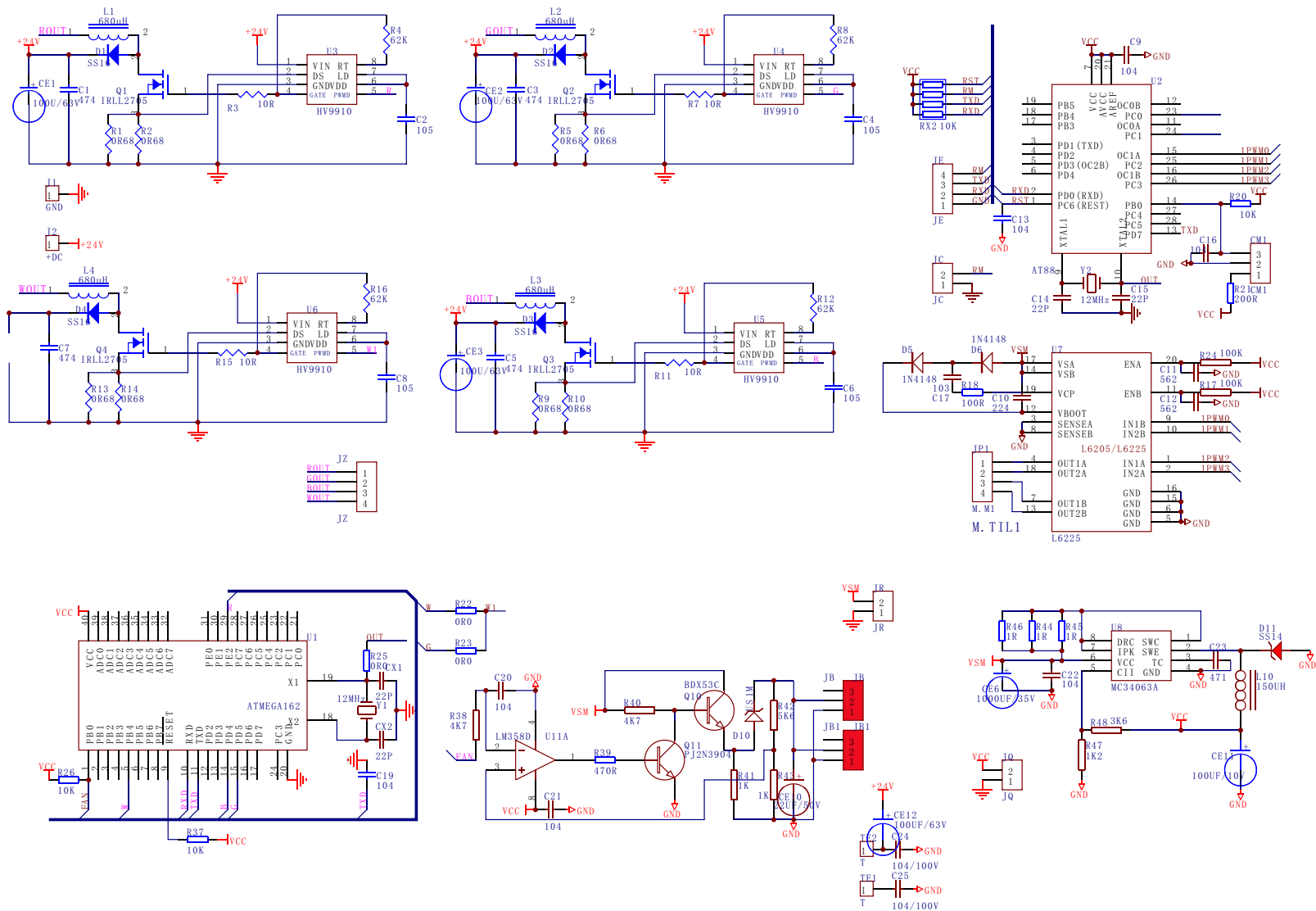
PRODUCT		DLED PAR ZOOM			
PIC. NO.		LPAR-36 ZOOM ELECTRIC			
EDIT		FILE NO.	HY-WIJL-A058	PAGE NO.	4/8
CHECK		VERSION	NR	DATE	2010.03.08
APPROVE		ECN NO.		DATE	



PRODUCT		DLED PAR ZOOM			
PIC. NO.		PCB0470A SCHEME			
EDIT		FILE NO.	HY-WIEC-0549	PAGE NO.	5/8
CHECK		VERSION	NR	DATE	2010.03.08
APPROVE		ECN NO.		DATE	

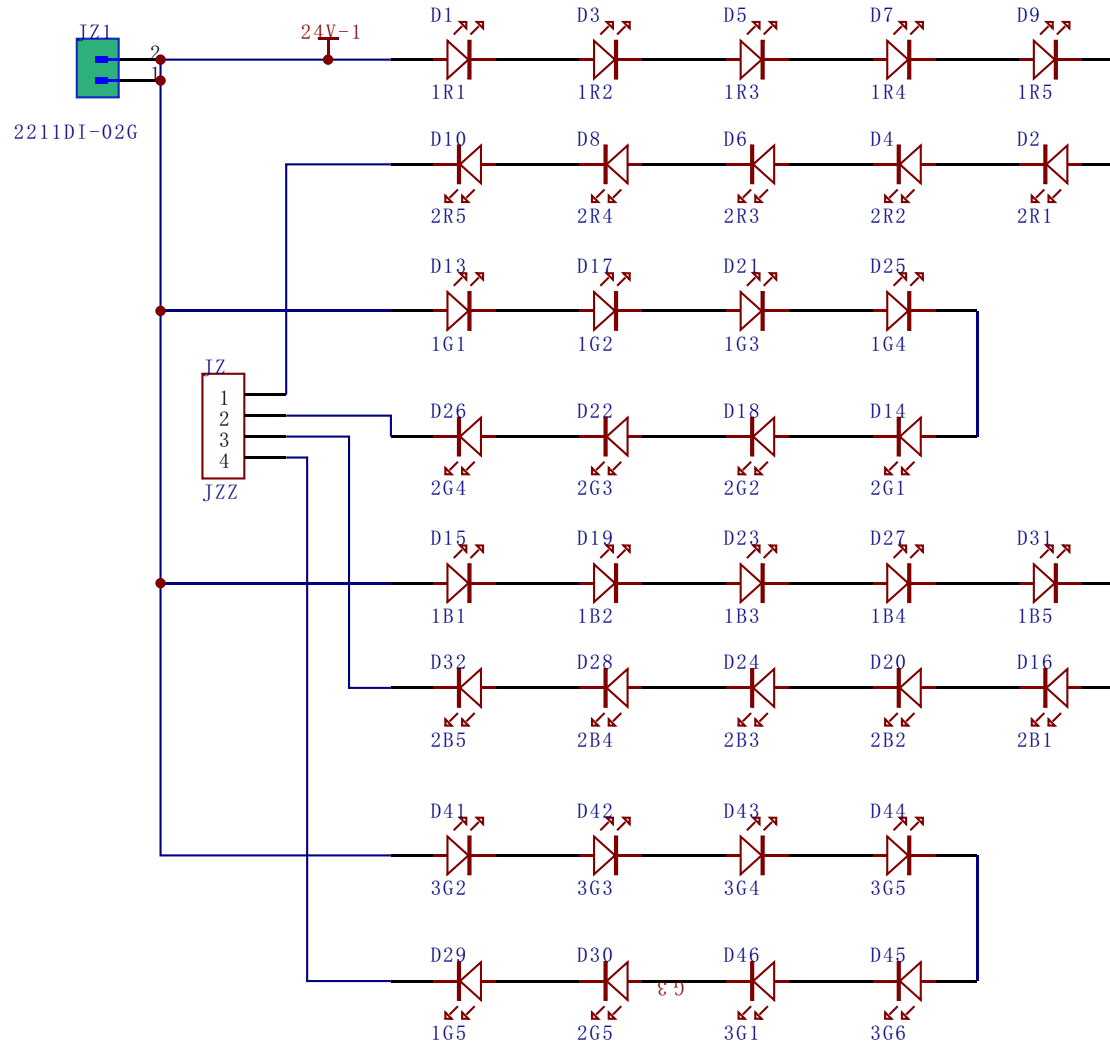


PRODUCT		DLED PAR ZOOM			
PIC. NO.		PCB0406A SCHEME			
EDIT		FILE NO.	HY-WIEC-0502	PAGE NO.	6/8
CHECK		VERSION	NR	DATE	2010.03.08
APPROVE		ECN NO.		DATE	



PRODUCT		DLED PAR ZOOM			
PIC. NO.		PCB0479B SCHEME			
EDIT		FILE NO.	HY-WIEC-0578	PAGE NO.	7/8
CHECK		VERSION	NR	DATE	2010.03.08
APPROVE		ECN NO.		DATE	





PRODUCT		DLED PAR ZOOM			
PIC. NO.		LJB0069B SCHEME			
EDIT		FILE NO.	HY-WIEC-0575	PAGE NO.	8/8
CHECK		VERSION	NR	DATE	2010.03.08
APPROVE		ECN NO.		DATE	